

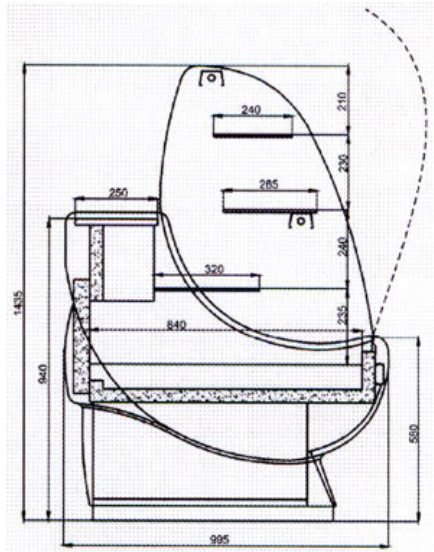
# European Pastry Case (CG-g)

## Standard:

- Curved front glass
- Mirror finish interior with SS floor
- Granite work top (width 30mm)
- Stainless steel pull out display drawer.
- Two leveled interior lighting
- Temperature control with thermometer
- ABS sides
- Automatic defrosting
- Side gravity coil
- Front window defogger
- Environment friendly R 507

## Optional:

- Self contained
- Possibility of multiplexing
- Cases only (no compressor)



- Two highest glass shelves are not cooled

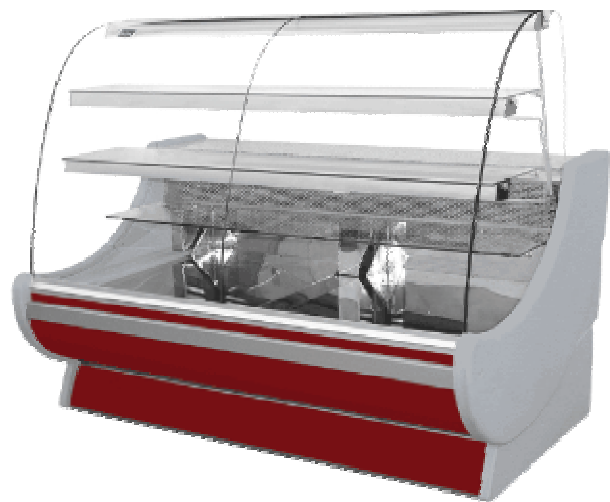
## Technical Data:

Model#	Length (Inch)	Depth (Inch)	Height (Inch)	Capacity (HP)	Voltage / Amps	Weight lbs.
<b>C 12 G-g</b>	48	37	54	1/3	115/8	379
<b>C 14 G-g</b>	56	37	54	1/3	115/8	423
<b>C 16 G-g</b>	64	37	54	1/2	115/8	460
<b>C 20 G-g</b>	80	37	54	1/2	115/8	485

- Model 20 is available with a divider
- Standard: SS bottom panel

## Atlanta Ltd

133 The West Mall, Unit 9  
 Toronto ON M9C 1C2  
 416 626 7210



The equipment is designed to operate under normal environmental conditions being below 75°F / 24°C ambient, 55% Relative Humidity.